

WINDOW SURVEY FORM



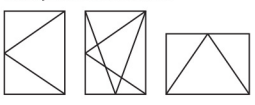
From

Ref

Order Date

Date Required

Point always denotes hinged sides
NB: Styles viewed outside



OFFICIAL USE ONLY

Date Received

Delivery Date

Our Order No.

Week No.

COLOUR

White

Light Oak

Light Oak / White

Rosewood

Rosewood / White

Other Colour

HANDLE COLOUR

Gold

Black

White

Silver

Chrome

ENERGY RATED WINDOWS

A Rated

B Rated

C Rated

GLASS

Glass Required

BEADING

28mm

40mm

SYSTEM

Featured

Bevelled

Energy Suite

FRAME SIZE

57mm

77mm

LOCKING

Espag

Shootbolt

1 OUTSIDE VIEW

Quantity Location Transom Depth

Frame Width Mullion Width

Overall Height

Trick Vent Head/Sash 2000 / 4000

Notes

Cill Required Y/N

Cill 85 / 150 / 180

Cill Length

Drain / Base / Face

Glass Type

Spacer Bronze / Silver / Gold

Drip Required Y/N

EXTENSIONS

	10	20	50
T			
B			
L			
R			

2 OUTSIDE VIEW

Quantity Location Transom Depth

Frame Width Mullion Width

Overall Height

Trick Vent Head/Sash 2000 / 4000

Notes

Cill Required Y/N

Cill 85 / 150 / 180

Cill Length

Drain / Base / Face

Glass Type

Spacer Bronze / Silver / Gold

Drip Required Y/N

EXTENSIONS

	10	20	50
T			
B			
L			
R			

3 OUTSIDE VIEW

Quantity Location Transom Depth

Frame Width Mullion Width

Overall Height

Trick Vent Head/Sash 2000 / 4000

Notes

Cill Required Y/N

Cill 85 / 150 / 180

Cill Length

Drain / Base / Face

Glass Type

Spacer Bronze / Silver / Gold

Drip Required Y/N

EXTENSIONS

	10	20	50
T			
B			
L			
R			

4 OUTSIDE VIEW

Quantity Location Transom Depth

Frame Width Mullion Width

Overall Height

Trick Vent Head/Sash 2000 / 4000

Notes

Cill Required Y/N

Cill 85 / 150 / 180

Cill Length

Drain / Base / Face

Glass Type

Spacer Bronze / Silver / Gold

Drip Required Y/N

EXTENSIONS

	10	20	50
T			
B			
L			
R			

OUTSIDE VIEW - DOOR ONLY

Door / Tilt / Slide / Inline

Location

Glass Panel Type

Width

Height

Cill 85 / 150 / 180

Mullion Width

Transom Drop

Midrail Height

Notes

Drainage Base / Face

Opening In / Out

Handle Type lvr / Pad

Hanging Right / Left

L'box Panel / Midrail

Knocker Lion's Head / Urn

Master Right / Left

Handle White / Black / Gold / Silver / Chrome

EXTENSIONS

	10	20	50
T			
B			
L			
R			

Where no measurements are given 400mm will be assumed for transoms and 600mm for mullions in all windows irrespective of size.

NOTE: No allowance in height measurements will be made for drips. For Bay Windows, include details of bay angles and configurations on a separate sheet. For Bow Windows, please state internal or external sizes. Energy rated windows are supplied with specific glass that cannot be changed. Minimum order value applies to special foiled / coloured products. Standard white not available as a foiled product.

Please accept this order with the terms and conditions stated overleaf. I understand that the above represents final measurements of window/door units. I therefore authorise you to proceed with manufacturing in accordance with these details.

Signed

On Behalf Of

T: 07903 504 479

E: info@ultratradeproducts.co.uk

ultratradeproducts.co.uk

CILL ORDER FORM



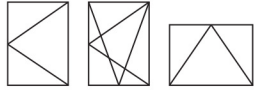
From

Ref

Order Date

Date Required

Point always denotes hinged sides
NB: Styles viewed outside



OFFICIAL USE ONLY

Date Received

Delivery Date

Our Order No.

Week No.

COLOUR

White

Light Oak

Light Oak / White

Rosewood

Rosewood / White

Other Colour

HANDLE COLOUR

Gold

White

Chrome

GLASS

Glass

Required

BEADING

Internal

External

SYSTEM

Featured

Bevelled

FRAME SIZE

57mm

77mm

LOCKING

Espag

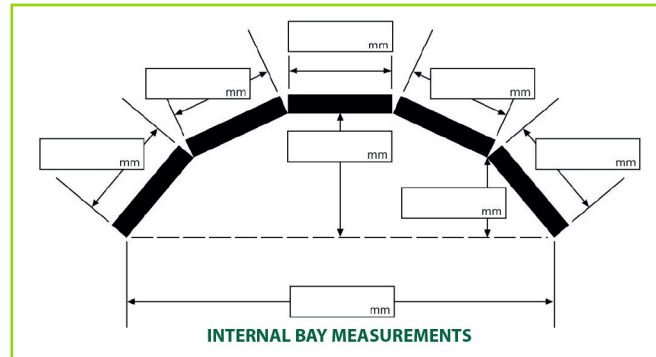
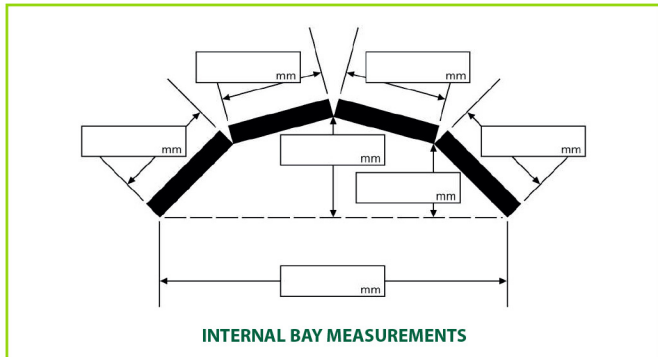
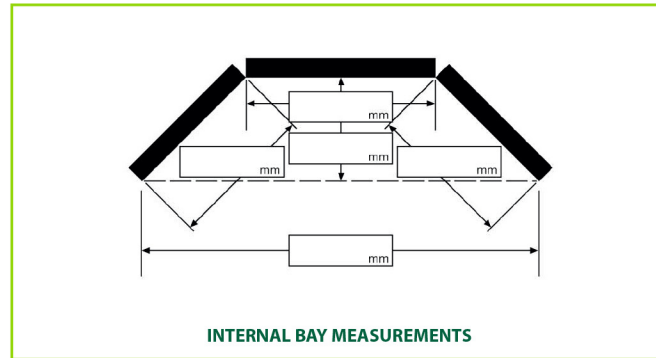
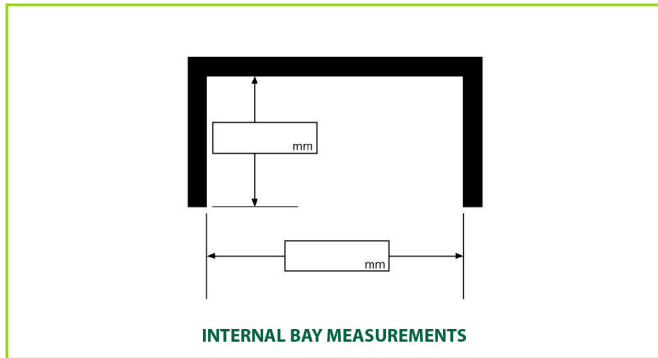
Shootbolt

CILL SIZE

85

150

180



1

Quantity	Location	Depth	Width
Overall Height	Cill Y/N	Glass Type	

OUTSIDE VIEW

2

Quantity	Location	Depth	Width
Overall Height	Cill Y/N	Glass Type	

OUTSIDE VIEW

Where no measurements are given 400mm will be assumed for transoms and 600mm for mullions in all windows irrespective of size.

Please accept this order with the terms and conditions stated overleaf. I understand that the above represents final measurements of window/door units. I therefore authorise you to proceed with manufacturing in accordance with these details.

Signed

On Behalf Of